



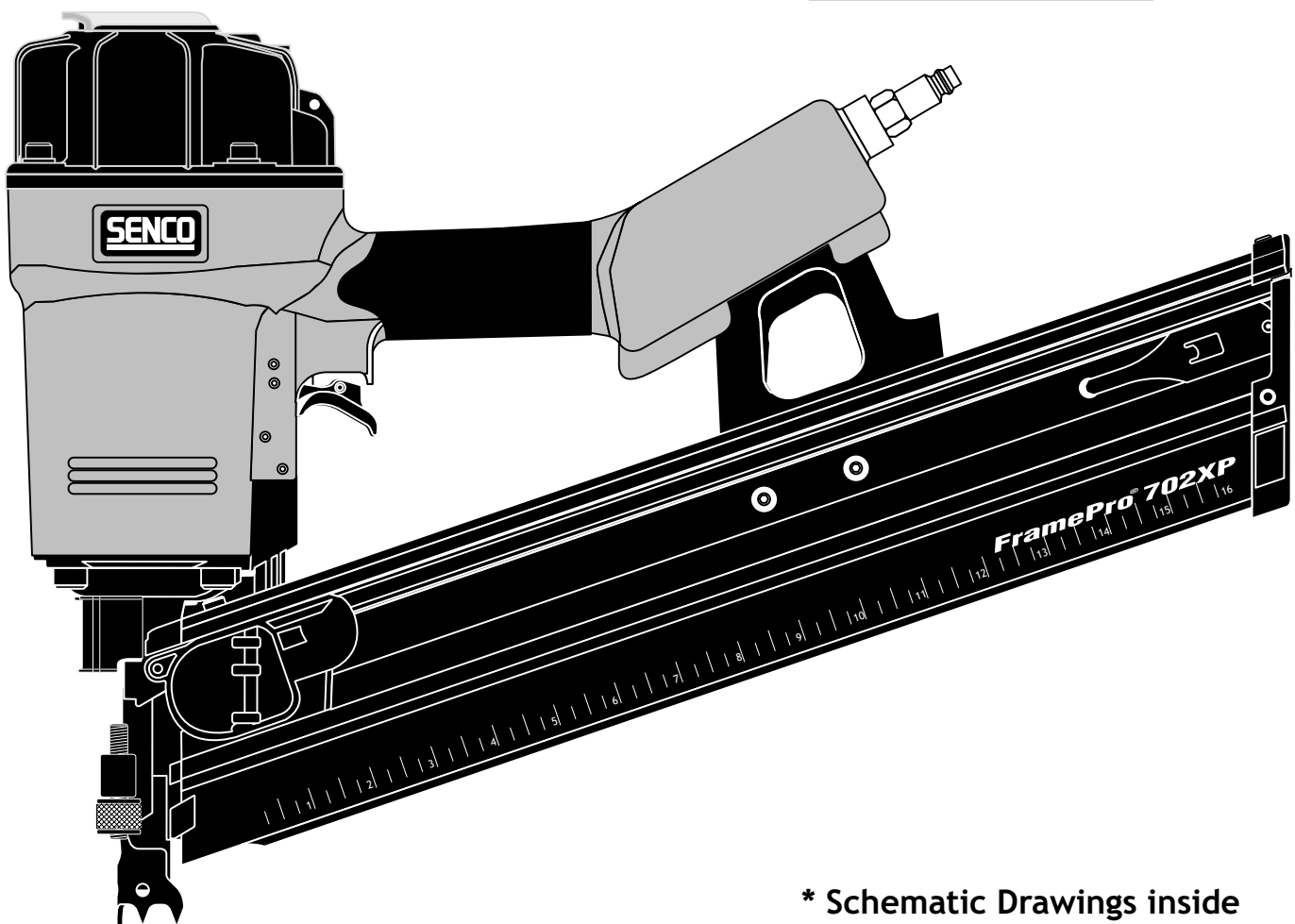
FramePro® 702XP/752XP FRH



Parts Reference Guide



Repair Kits
YK0243
YK0244



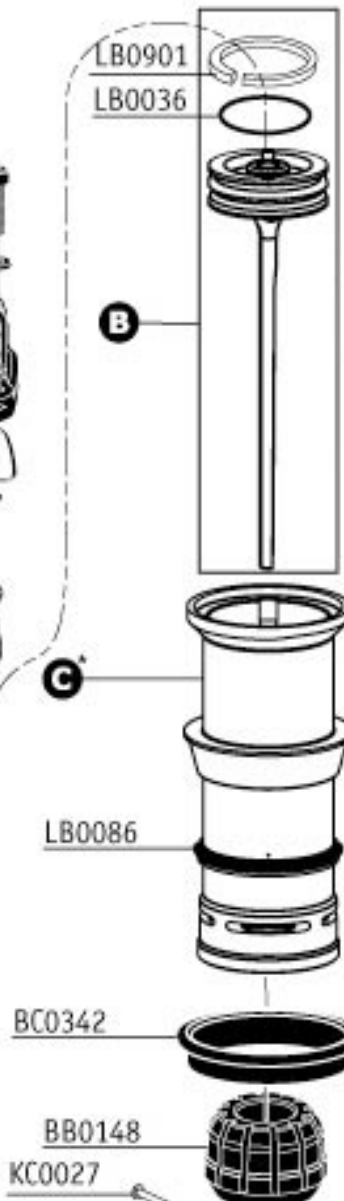
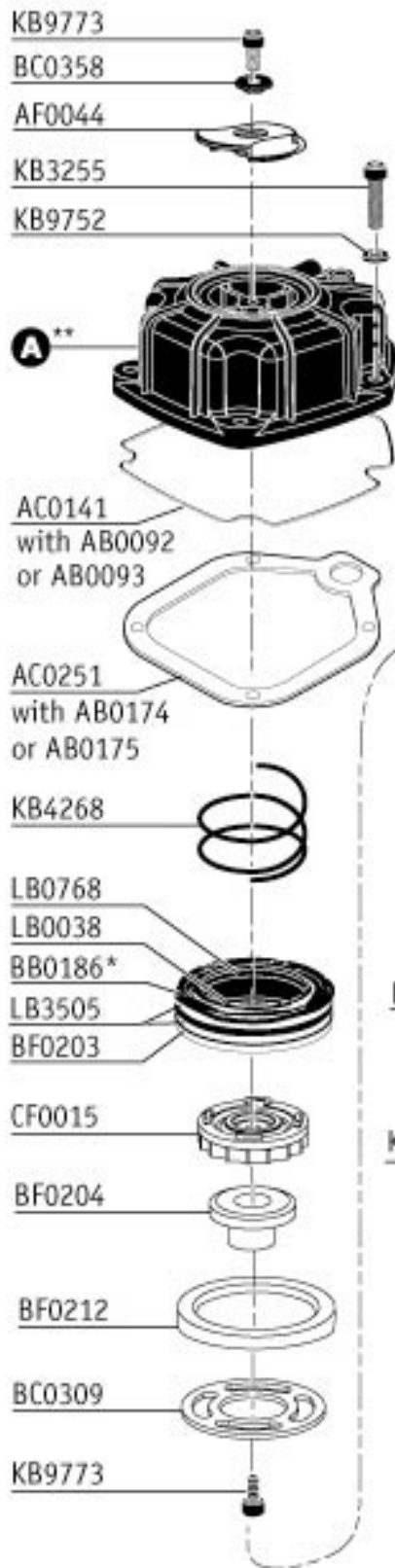
* Schematic Drawings inside

Questions? Comments? call Senco's toll-free Action-line:
1-800-543-4596 (North & south America only)
or e-mail: toolprof@senco.com

Senco Products, Inc.
8485 Broadwell Rd.
Cincinnati, OH 45244

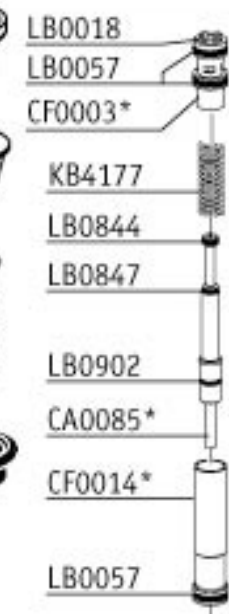
Visit our Website: www.senco.com

FramePro 702XP / 752XP Full Round-Head

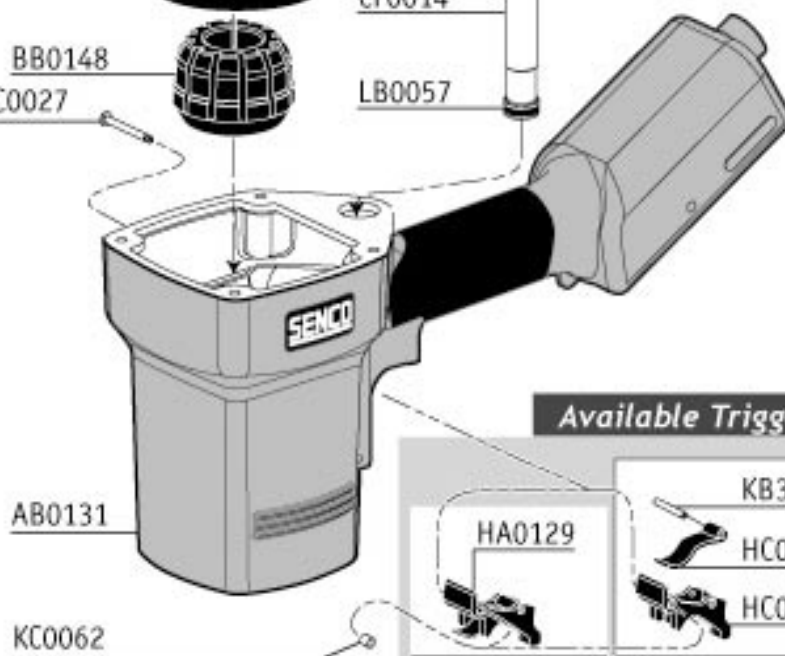


Tool #	Model	A	B	C	D
2K0003N	702XP Single Sequential	AB0175	YK0418	BC0340	GC0529
2K0013N	702XP Single Sequential	AB0175	YK0418	BC0340	GC0529
2K2001N	702XP Contact Actuation	AB0175	YK0418	BC0340	GC0529
2K2002N	702XP Single Sequential	AB0175	YK0418	BC0340	GC0529
2F0003N	752XP Single Sequential	AB0174	YK0419	BC0341	GC0588
2F2001N	752XP Contact Actuation	AB0174	YK0419	BC0341	GC0588
2F2002N	752XP Single Sequential	AB0174	YK0419	BC0341	GC0588
2F3003N	752XP Contact Actuation	AB0174	YK0419	BC0341	GC0588
2F3004N	752XP Single Sequential	AB0174	YK0419	BC0341	GC0588

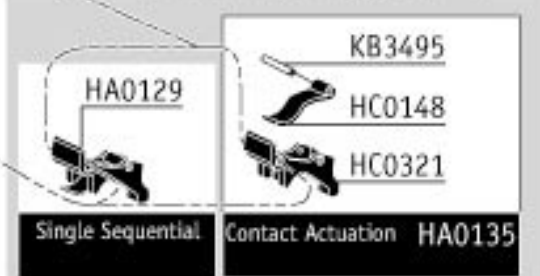
Tool #	Model	E	F	G
2K0003N	702XP Single Sequential	GB0449	FB0116	GA0360
2K0013N	702XP Single Sequential	GB0449	FB0116	GA0360
2K2001N	702XP Contact Actuation	GB0461	FB0116	GA0360
2K2002N	702XP Single Sequential	GB0461	FB0116	GA0360
2F0003N	752XP Single Sequential	GB0450	FB0118	GA0364
2F2001N	752XP Contact Actuation	GB0462	FB0118	GA0364
2F2002N	752XP Single Sequential	GB0462	FB0118	GA0364
2F3003N	752XP Contact Actuation	GB0450	FB0118	GA0364
2F3004N	752XP Single Sequential	GB0450	FB0118	GA0364



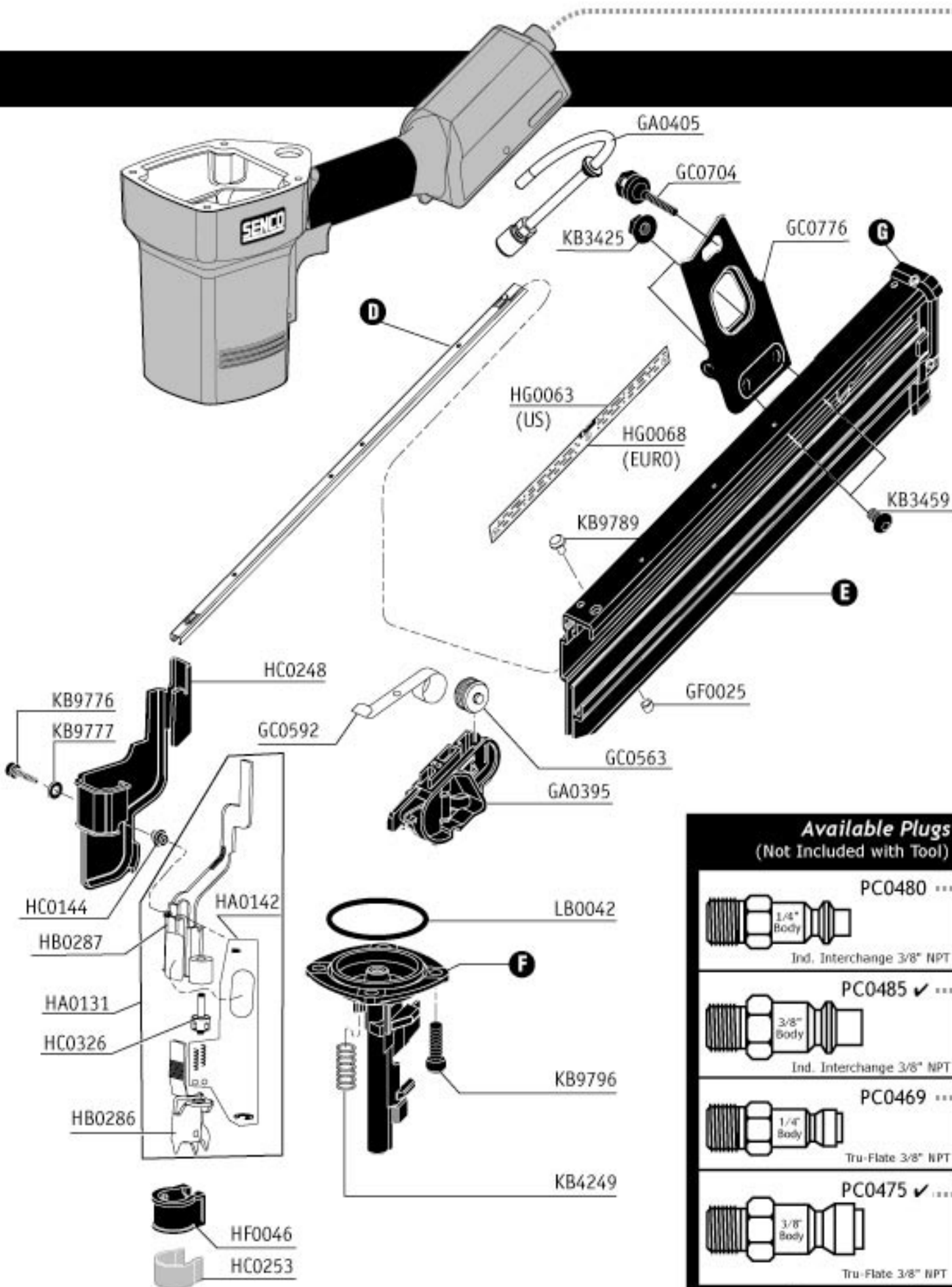
- ** Includes Seal
- ** Sellos de gomas
- ** Mit Dichtringe
- ** Joints
- * Does Not Include O-rings
- * No incluye sellos de gomas
- * Ohne Dichtringe
- * Joints exclus



Available Triggers



Single Sequential Contact Actuation



NFG026 Revised June 18, 2004 (Replaces 2/26/04) © 2002, 2004 by Senco Products, Inc. Cincinnati, Ohio 45244-U.S.A.

Available Plugs
(Not Included with Tool)

	PC0480	Ind. Interchange 3/8" NPT
	PC0485 ✓	Ind. Interchange 3/8" NPT
	PC0469	Tru-Flate 3/8" NPT
	PC0475 ✓	Tru-Flate 3/8" NPT

✓ **Recommended Plugs**
Plugs shown smaller than actual size

FramePro 702XP | 752XP Framing Nailers

REPLACEMENT PARTS LIST • LISTA DE PARTES DE REPUESTO • ERSATSTEILE-LISTE • LISTE DE PIÈCES DE RECHANGE

PART NO.	DESCRIPTION	DESCRIPCIÓN	BESCHREIBUNG	DÉSIGNATION
AB0131	MAIN BODY	CARCASA	GEHÄUSE	CORPS
AB0174	CAP	TAPA	KAPPE	BOUCHON
AB0175	CAP	TAPA	KAPPE	BOUCHON
AC0141	SEAL	SELLO	DICHTUNG	JOINT
AC0251	SEAL	SELLO	DICHTUNG	JOINT
AF0044	DEFLECTOR	DESVIADOR	ABWEISER	DÉFLECTEUR
BB0148	STOP	TOPE	PUFFER	ARRÊT
BB0186	VALVE	VÁLVULA	VENTIL	VALVE
BC0309	RETAINER	RETÉN	SICHERUNGSRING	RETENUE
BC0340	CYLINDER	CILINDRO	ZYLINDER	CYLINDRE
BC0341	CYLINDER	CILINDRO	ZYLINDER	CYLINDRE
BC0342	SEAL	SELLO	DICHTUNG	JOINT
BC0358	WASHER	ARANDELA	SCHIEBE	RONDELLE
BF0203	SEAL	SELLO	DICHTUNG	JOINT
BF0204	RETAINER	RETÉN	SICHERUNGSRING	RETENUE
BF0212	SEAL	SELLO	DICHTUNG	JOINT
CA0085	CORE	VÁSTAGO	VENTILSTIFT	NOYAU
CF0003	CAGE	CAJA	KÄFIG	CAGE
CF0014	HOUSING	ALOJAMIENTO	GEHÄUSE	CORPS
CF0015	VALVE	VÁLVULA	VENTIL	VALVE
FB0116	GUIDE BODY	PLACA DE NARIZ	NAGELFÜHRUNG	FRONT
FB0118	GUIDE BODY	PLACA DE NARIZ	NAGELFÜHRUNG	FRONT
GA0360	END CAP	TAPA TERMINAL	ABSCHLUßKAPPE	BOUCHON D'EXTRÉMITÉ DE RAIL
GA0364	END CAP	TAPA TERMINAL	ABSCHLUßKAPPE	BOUCHON D'EXTRÉMITÉ DE RAIL
GA0395	FEEDER SHOE	ALIMENTADOR	NAGELSCHIEBER	POUSSOIR
GA0405	BRACKET	SOPORTE	HALTERUNG	SUPPORT DE FIXATION
GB0449	MAGAZINE (US)	CARGADOR	MAGAZIN	MAGASIN
GB0450	MAGAZINE (US)	CARGADOR	MAGAZIN	MAGASIN
GB0461	MAGAZINE (EURO)	CARGADOR	MAGAZIN	MAGASIN
GB0462	MAGAZINE (EURO)	CARGADOR	MAGAZIN	MAGASIN
GC0529	RAIL	CARRIL	SCHIENE	RAIL
GC0563	ROLLER	RODILLO	ROLLE	GALET
GC0588	RAIL	CARRIL	SCHIENE	RAIL
GC0592	SPRING	RESORTE	FEDER	RESSORT
GC0704	KNOB	MANIVELA	KNOPF	MOLETTE DE VERROUILLAGE
GC0776	BRACKET	SOPORTE	HALTERUNG	SUPPORT DE FIXATION
GF0025	BUMPER	AMORTIGUADOR	PUFFER	AMORTISSEUR
HA0129	TRIGGER ASSY	ASAMBLE DE GATILLO	AUSLÖSER	ENSEMBLE GÂCHETTE
HA0131	SAFETY ELEMENT	ASAMBLE DE SEGURO	SICHERHEITSVORRICHTUNG	PALPEUR DE SÉCURITÉ
HA0135	TRIGGER ASSY	ASAMBLE DE GATILLO	AUSLÖSER	ENSEMBLE GÂCHETTE
HA0142	SAFETY ASSEMBLY	ASAMBLE DE SEGURO	SICHERHEITSVORRICHTUNG	PALPEUR DE SÉCURITÉ
HB0286	SAFETY ELEMENT	ASAMBLE DE SEGURO	SICHERHEITSVORRICHTUNG	PALPEUR DE SÉCURITÉ
HB0287	SAFETY ELEMENT	ASAMBLE DE SEGURO	SICHERHEITSVORRICHTUNG	PALPEUR DE SÉCURITÉ
HC0144	INSERT	ACOPLAMIENTO	EINSATZ	INSERT
HC0148	TRIGGER	GATILLO	AUSLÖSER	GÂCHETTE
HC0248	COVER	CUBIERTA	ABDECKUNG	COUVERCLE
HC0253	RETAINER	RETÉN	SICHERUNGSRING	RETENUE
HC0326	WHEEL	MANIVELA	RÄNDELSCHRAUBE	MOLETTE
HF0046	NO-MAR PAD	AMORTIGUADOR	SCHUTZ	COUSSIN
HG0063	LABEL (US)	ETIQUETA	AUFKLEBER	ÉTIQUETTE
HG0068	(SAFETY PRECAUTIONS)	(NORMAS DE SEGURIDAD)	(SICHERHEITSHINWEISE)	(PRÉCAUTIONS DE SÉCURITÉ)
HG0068	LABEL (EURO)	ETIQUETA	AUFKLEBER	ÉTIQUETTE
HG0068	(SAFETY PRECAUTIONS)	(NORMAS DE SEGURIDAD)	(SICHERHEITSHINWEISE)	(PRÉCAUTIONS DE SÉCURITÉ)
KB3255	SCREW	TORNILLO	SCHRAUBE	VIS
KB3425	NUT	TUERCA	MUTTER	ÉCROU
KB3459	SCREW	TORNILLO	SCHRAUBE	VIS
KB4177	SPRING	RESORTE	FEDER	RESSORT
KB4249	SPRING	RESORTE	FEDER	RESSORT
KB4268	SPRING	RESORTE	FEDER	RESSORT
KB9752	WASHER	ARANDELA	SCHIEBE	RONDELLE
KB9773	SCREW	TORNILLO	SCHRAUBE	VIS
KB9776	SCREW	TORNILLO	SCHRAUBE	VIS
KB9777	WASHER	ARANDELA	SCHIEBE	RONDELLE
KB9789	SCREW	TORNILLO	SCHRAUBE	VIS
KB9796	SCREW	TORNILLO	SCHRAUBE	VIS
KC0027	PIN	PASADOR	STIFT	GOUPILLE
KC0062	RETAINER	RETÉN	SICHERUNGSRING	RETENUE
LB0018	SEAL	SELLO	DICHTUNG	JOINT
LB0036	SEAL	SELLO	DICHTUNG	JOINT
LB0038	SEAL	SELLO	DICHTUNG	JOINT
LB0042	SEAL	SELLO	DICHTUNG	JOINT
LB0057	SEAL	SELLO	DICHTUNG	JOINT
LB0086	SEAL	SELLO	DICHTUNG	JOINT
LB0768	SEAL	SELLO	DICHTUNG	JOINT
LB0844	SEAL	SELLO	DICHTUNG	JOINT
LB0846	SEAL	SELLO	DICHTUNG	JOINT
LB0847	SEAL	SELLO	DICHTUNG	JOINT
LB0901	SEAL	SELLO	DICHTUNG	JOINT
LB0902	SEAL	SELLO	DICHTUNG	JOINT
LB3505	SEAL	SELLO	DICHTUNG	JOINT
YK0418	PISTON ASSEMBLY	ASAMBLE DE PISTON	KOLBEN-ZUSAMMENBAU	ENSEMBLE PISTON-COUTEAU
YK0419	PISTON ASSEMBLY	ASAMBLE DE PISTON	KOLBEN-ZUSAMMENBAU	ENSEMBLE PISTON-COUTEAU